

## SHOWCASES

### Wipper 1 (+1°C/+10°C) Wipper 2 (-1°C/+5°C)

#### Main Features

- ▶ Static cooling mod. WIPPER 1
- ▶ Ventilated cooling mod. WIPPER 2
- ▶ Simple stop defrosting
- ▶ 300 mm stainless steel work surface (Wipper1)
- ▶ 240 mm stainless steel working surface (Wipper2)
- ▶ About folding glass structure with lighting
- ▶ With back reservation
- ▶ Built-in compressor group R134A
- ▶ Thermostat, thermometer and mechanical timer (Wipper1)
- ▶ Electronic thermometer (Wipper2)

#### WITH SIDEWALKS / WITHOUT ACCESSORIES

- ▶ Ambient temperature: + 25°C
- ▶ Relative humidity: 60%

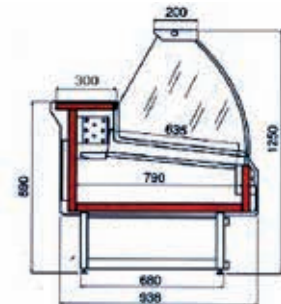
#### Working temperature:

TN (Static) +1°C / +10°C

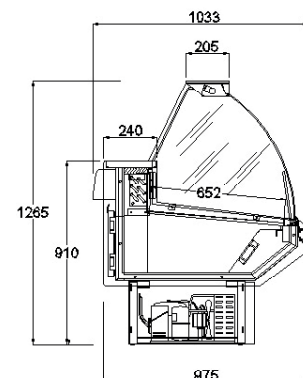
TN (Ventilated) -1°C / +5°C



WIPPER 1 STATIC (Curved glass)



WIPPER 2 VENTILATED (Curved glass)



#### Price List

Longitud (mm)		1200	1500	1800	2400
MODEL	WIPPER 1-2	Prices (€)			
STRAIGHT GLASS ( VD)	STATIC	2.206,00	2.318,00	2.606,00	2.976,00
	VENTILATED	2.498,00	2.633,00	3.039,00	3.533,00
CURVED GLASS (VC)	STATIC	2.320,00	2.439,00	2.780,00	3.208,00
	VENTILATED	2.705,00	2.874,00	3.381,00	4.142,00

Slide	VD / VC	174,00	174,00	174,00	174,00
Intermediate shelf	VD / VC	106,00	127,00	143,00	169,00
Sliding rear closure	VD	102,00	117,00	135,00	172,00
Sliding rear closure	VC	102,00	117,00	135,00	172,00
Working plane in marble (300 mm)		76,00	118,00	160,00	203,00

\*\*\*