

COOLING ISLANDS

Laval 3 (0°C/+2°C) (-18°C/-25°C)

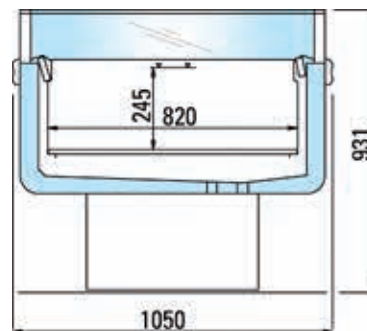
Main Features

- ▶ Ventilated cooling
- ▶ Electric defrosting
- ▶ Ral 7011 pvc bumpers
- ▶ Thermal glass H175 mm
- ▶ White interior
- ▶ Price holder not included
- ▶ Mechanical thermometer
- ▶ **Built-in group** with two compressors (R404A)
- ▶ Automatic water evaporation device
- ▶ Electronic control panel
- ▶ WITH SIDEWALKS / WITHOUT ACCESSORIES
- ▶ Ambient temperature: + 25°C
- ▶ Relative humidity: 60%

Working temperature

TN 0°C / +2°C

BT -18°C / -25°C



LAVAL 3

Price List

Model	LAVAL 3	BT/TN
Length (mm)		Prices (€)
	1320	4.097,00
	1920	4.590,00
	2520	5.081,00
Accessories		
Night covers for L1320		71,00
Night covers for L1920		95,00
Night covers for L2520		277,00
Grid background. 595 x 794 (1 pc.)		56,00
Divide grid 740 x 100 mm (the background grid is essential)		35,00
Divide grid 740 x 210 mm (without bottom grid)		36,00
Wheels. L1320		108,00
Wheels. L1920 / L2520		524,00
ID974 thermostat + probe		238,00
EM300 NTC digital thermometer		89,00
